

DreamCraft Cabinetry products carry a Limited Lifetime Warranty against defective material and workmanship from date of delivery. Under this Limited Lifetime Warranty, a primary or secondary home does not include rental property. This Limited Lifetime Warranty does not apply to landlords, leasing companies or other commercial purchasers.

Wood is a product of nature, each tree varies in grain, pattern, density and color. Nature's impact determines the wood's distinctive character. Color match and grain patterns will vary because of material characteristics and are not considered defects by DreamCraft Cabinetry. Exposure to sunlight, smoke and chemicals may cause some materials to fade or vary from their original color over time. Extreme temperatures can cause most solid wood items, like drawers and doors to warp and shrink.

Limits of Warranty:  
It is recommended that you use a professional installer to install your cabinetry.

This warranty does not cover misuse, abuse, overloading, improper storage or installation of any kind.

Floating cabinetry, floating shelves or wall cabinetry that is above standard depth, should be installed between cabinets and/or require additional support at time of installation.

Wall cabinetry that is above standard depth should be installed between cabinets, or have extra support against wall.

During the warranty period, all defective materials will be replaced by DreamCraft Cabinetry at no charge to the consumer. Warranty does not include any other products used in conjunction with the cabinets; including but not limited to: countertops, all appliances, backsplashes, plumbing, fixtures, and all forms of labor including cost of removal, transportation and installation.

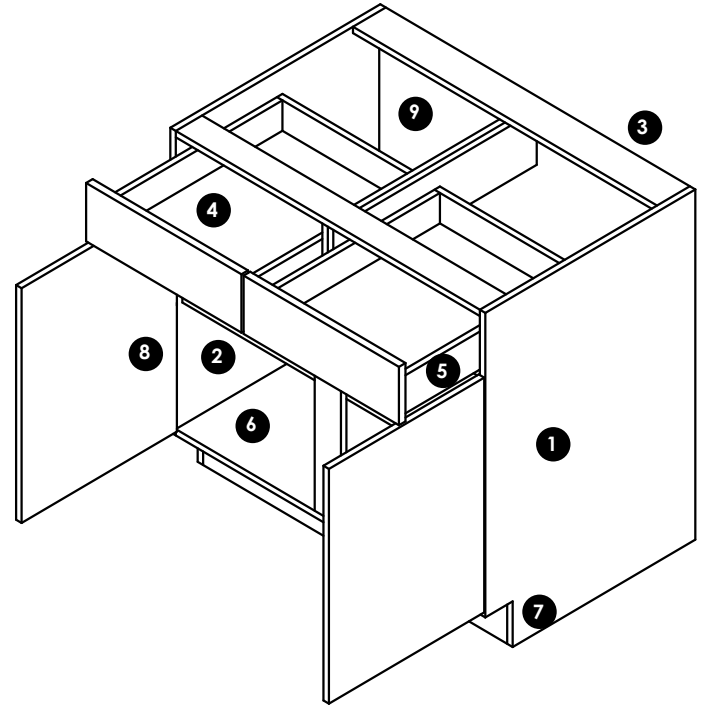
All warranty is limited strictly to the item or the part of the item is purchased only.

Warranty does not include damages caused by any other product or natural causes of any form, such as a water damage or a flood. This also includes, all-natural causes such as earthquake, tornado, flood, etc that cause damages.

Any form of misuse, accident, alteration, negligent use is not covered by this warranty.

Cosmetic defects including but not limited to, scratches, dents, bad coloring, and all things that can be spotted will the eye easily are considered cosmetic and should be reported before installation. Scratches and dents can be caused during or after installation and are not covered by this warranty.

Photography is for illustration purposes only. Actual colors may vary from those shown in photographs due to the printing process.



**Standard Depth & Height:**  
**Walls** = 12 3/4" Deep  
**Bases** = 24" Deep X 34 1/2" High  
**Vanities** = 21" Deep X 31 1/2" High

**DreamCraft - Standard Construction**

- 1. End Panels** = 5/8" Substrate with white interior, and white exterior w/complimentary edgeband
- 2. Shelves** = 3/4" Substrate fully adjustable, full depth shelves
- 3. Stretchers** = 5/8" Plywood
- 4. Drawers** = Drawer sides and headers are 5/8" substrate. All drawers are pinned and rabbeted assembly. Visual drawer front is screwed to sub-front. Drawer bottoms 1/8" hardboard substrate with white interior, and white exterior
- 5. Drawer Guides** = 7/8" extension undermount drawer guides
- 6. Tops and Bottoms** = 5/8" Substrate with white interior, and white exterior
- 7. Toe Kicks** = 4 1/2" H x 3 1/8" D Substrate toe kicks, inset on all base, vanity bases and tall cabinets (toe kick unfinished)
- 8. Hinges** = 6 - way adjustable, self-closing and concealed hinge
- 9. Backs** = 1/8" Substrate with white interior

  
**NATIONS**  
 CABINETRY  
 4600 US Highway 90 West  
 San Antonio, TX. 78237  
 P 210.684.1611 / F 210.684.1685  
 SL-DRCAT  
 JULY 2022

  
**DREAM CRAFT**  
**EURO CABINETRY**

**DOOR BROCHURE**



nationscabinetry.com

With so many choices, finding just the right finish for your beautiful new cabinets is just as important as choosing the cabinets. That's why we offer a full spectrum of colors, tones and textures to suit everyone's palate. Not only does DreamCraft offer an expanse of engineered substrates, but we also showcase a wide variety of paints, stains, as well as a custom paint program on various wood species, that will add a unique look to any design.

## Material

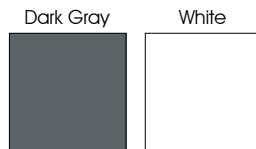
	BEECH	CHERRY	OAK	MAPLE	PAINT	TM	Echo	ACRYLIC
CARLISLE	X	X	X	X	X			
HUDSON			X	X	X			
LAWTON			X	X	X			
LOGAN			X	X		X	X	
MIDWAY 2		X		X	X			
NANTUCKET 2		X		X	X			
NEWPORT 2				X	X			
SENECA			X	X	X			
SHAKER 2	X	X	X	X	X			
URBAN 2			X	X	X	X	X	X
WESTIN	X	X	X	X	X			

**Acrylic:** Impeccable surface consistency, scratch resistant surface and color richness that enhances depth and clarity.

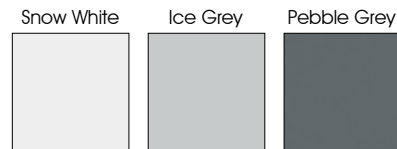
**Echo:** Reconstituted real wood veneer provides endless opportunities to create the look of rare and common wood. This environmentally responsible alternative is an architectural veneer that is consistent in color and grain, time and time again.

**Textured Melamine:** Colorful textured melamine that has character with a designer-friendly focus. Authentic to the touch, with the benefits of value and durability, it's a smart surface that you can love.

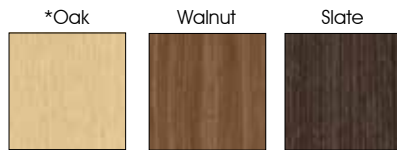
### Acrylic



### Matte



### Echo



\* Available in stain finishes

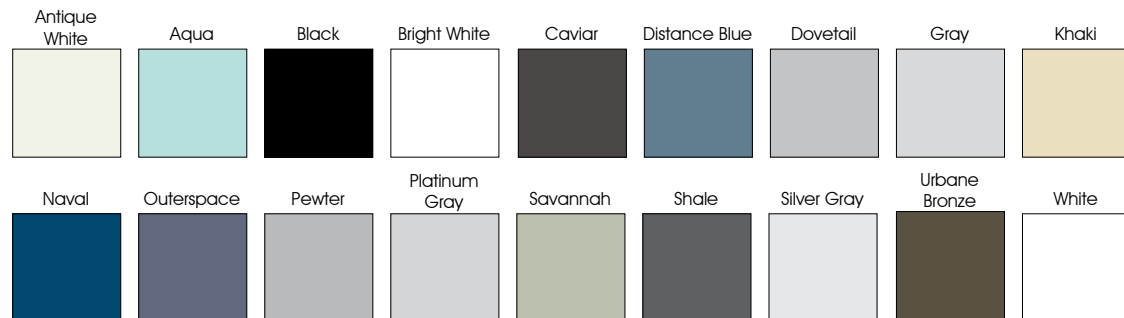
### Textured Melamine



### Stains



### Paints



Carlisle



Hudson



Lawton



Logan



Midway 2



Wide Style

Wide Style

Nantucket 2



Newport 2



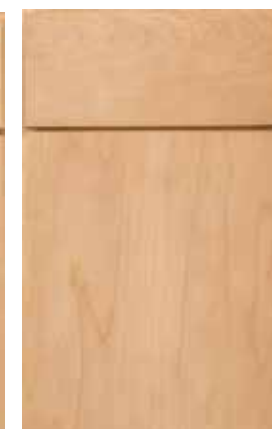
Seneca



Shaker 2



Urban 2



Wide Style

Westin



For more information on pricing, please contact your Nations Cabinetry Customer Service Representative.